



Camerobot for Studio Automation

Welcome to flexible and efficient studiomation technology

- Ultra-fast, high precision robotic arm.
- Ideal for high-speed filming and special effects.
- Outstanding rigidity and dynamics.
- Compact and lightweight.
- Floor mounting or ceiling mounting.
- MHC control software.



www.mrmoco.com

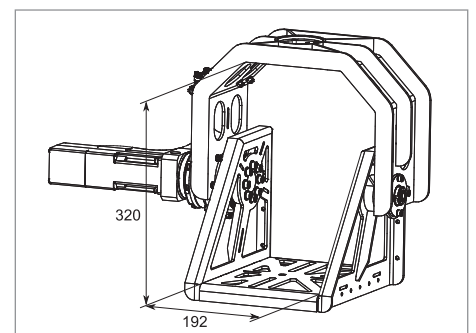
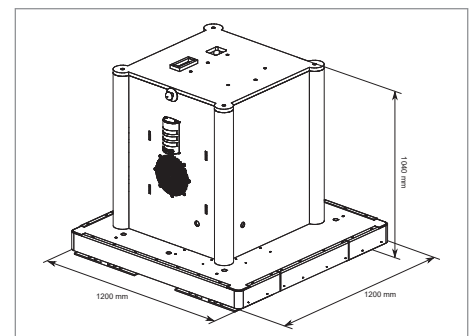
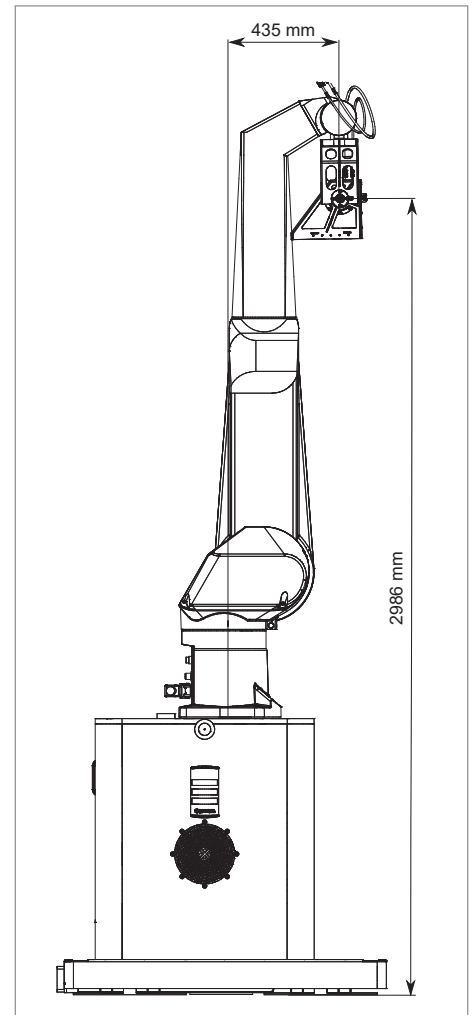


Mark Roberts Motion Control

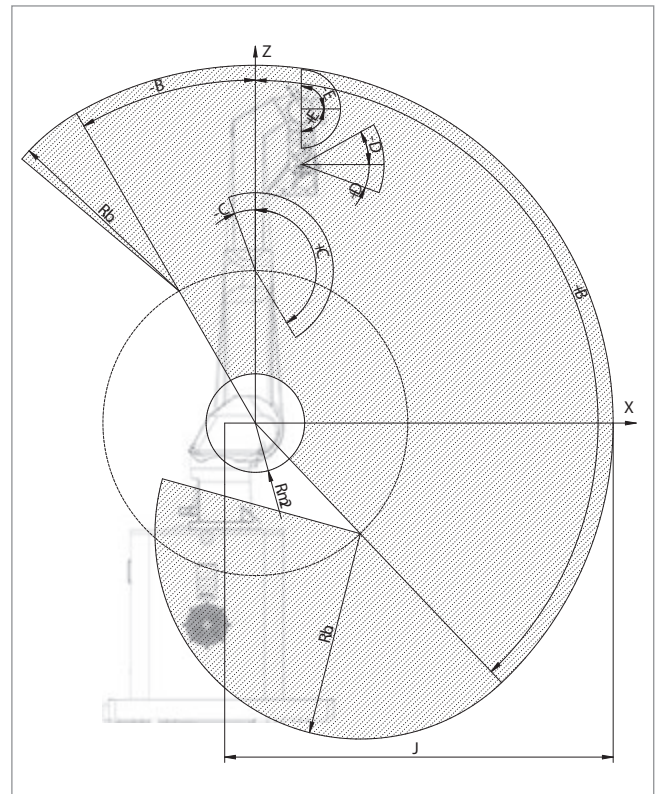
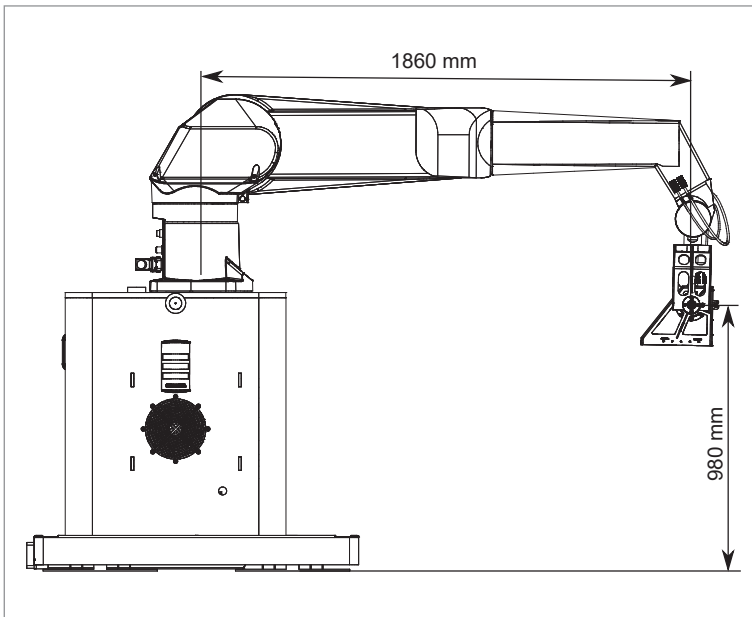
Creative Motion Control

Technical specifications

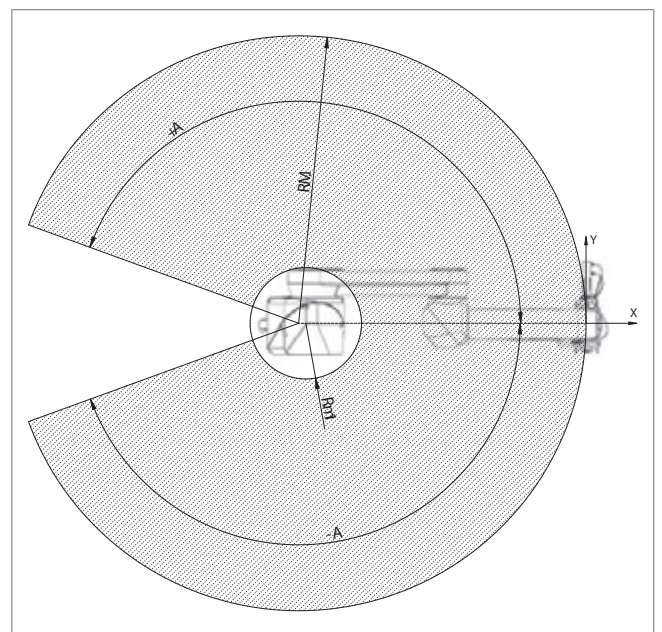
Robot	Maximum reach	1,86 m
	Repeatability	± 0,05 mm
	Speed	up to 1 m/s
	Nominal load	14 kg
	Weight	250 kg
Controller	Power supply	3 phase 400 – 480 V AC at 3 kVA 3 phase 200 – 230 V AC at 3 kVA
	Height	531 mm / 12 HE (U)
	Weight	60 kg
Pedestal	Dimensions	1200 x 1200 x 1040 mm
	Weight	700 kg
Camerobot Controller	Power supply	100 – 230 VAC at 500 VA
	Height	178 mm / 4 HE (U)
	Interfaces	<ul style="list-style-type: none"> · RS 422 · RS 232 · TCP / IP · Ethercat · HD-SDI / SDI · SYNC · USB
	Redundancy	<ul style="list-style-type: none"> · Power supply · RAID-system · Network card (Teaming)
	Lens support	<ul style="list-style-type: none"> · Canon · Fujinon · External Lens Drive
Total System	Max. height	3,4 m
	Max. width	2,3 m
	Maximum camera height	3,0 m
	Total weight	950 kg



Technical specifications



Axis	Range (°)	Working Range distribution (°)
1 (A)	320	- 160 + 160
2 (B)	166,5	- 30 + 136,5
3 (C)	129	- 20 + 149
4 (D)	49	- 29 + 20
5 (E)	180	- 90 + 90
6 (F)	280	- 140 + 140



R.b	925 mm
R.M.	1900 mm
R.m1	462 mm
R.m2	463 mm
J	1900 mm

Camerobot Options

The Camerobot system, consisting of robotic arm and pedestal, can optionally be equipped with the following components – according to the customers needs.



Air cushion system
For easy positioning and fast sliding in the studio.



Safety equipment
According to machine directive.



Teleprompter
Innovative teleprompter solution for vibration-free camera moves.



Linear track
The length of the track can be chosen freely.



Noise reduction cover
For reduced sound and noise emission.



Monitor mount
For mounting a LCD-monitor directly above the camera.

US Office
Phone +1(610)220 3862
usinfo@mrmoco.com

UK Head Office
Mark Roberts Motion Control Ltd
Unit 3, South East Studios
Eastbourne Road
Blindley Heath, Surrey
RH7 6JP, United Kingdom
Phone +44(0) 1342 838000
Fax +44(0) 1342 838001

info@mrmoco.com
www.mrmoco.com



Mark Roberts Motion Control

Creative Motion Control